

PRODUCT INFORMATION PACKET

Model No: 056C17W5330
Catalog No: N529
1 1/2, 1800, TEFC, 56C, 1/60/115/208-230
Washdown Duty



Regal and Marathon are trademarks of Regal Beloit Corporation or one of its affiliated companies.
©2018 Regal Beloit Corporation, All Rights Reserved. MC017097E





Nameplate Specifications

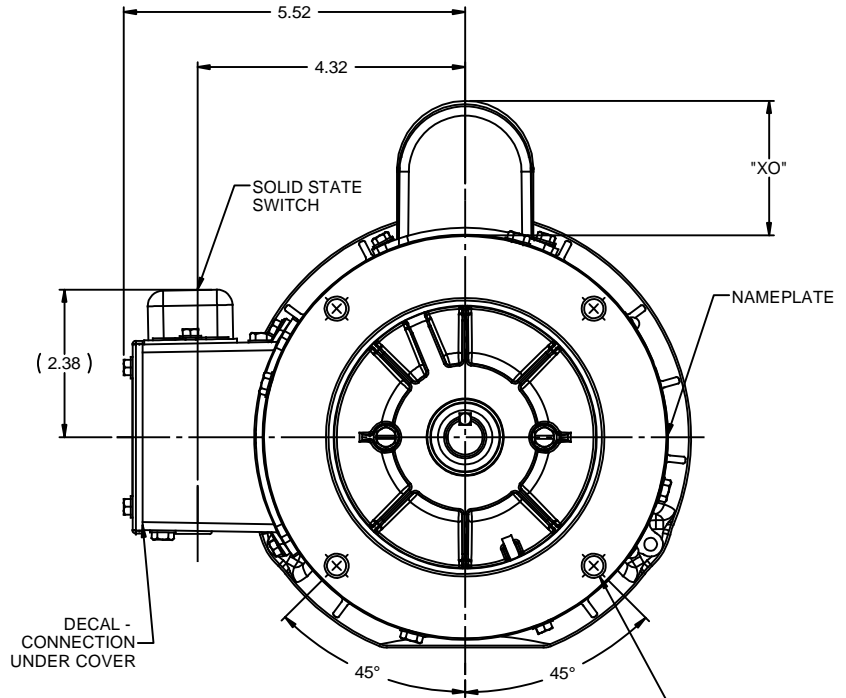
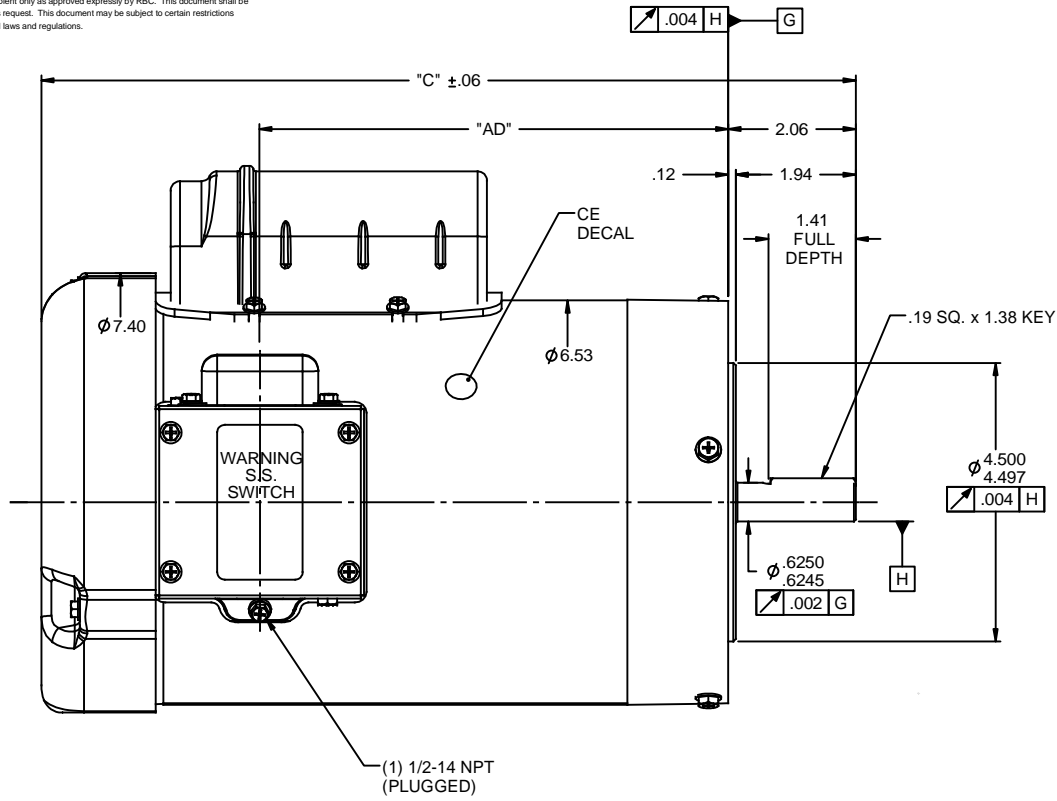
Output HP	1.50 Hp	Output KW	1.1 kW
Frequency	60 Hz	Voltage	115/208-230 V
Current	19.0/9.5 A	Speed	1725 rpm
Service Factor	1.15	Phase	1
Efficiency	71 %	Duty	Continuous
Insulation Class	F	Design Code	NO DESIGN CODE
KVA Code	J	Frame	56C
Enclosure	Totally Enclosed Fan Cooled	Overload Protector	No
Ambient Temperature	40 °C	Drive End Bearing Size	6205
Opp Drive End Bearing Size	6203	UL	Recognized
CSA	Y	CE	Y
IP Code	55		

Technical Specifications

Electrical Type	Capacitor Start Induction Run	Starting Method	Across The Line
Poles	4	Rotation	Selective Counterclockwise
Mounting	Round	Motor Orientation	Horizontal
Drive End Bearing	Ball	Opp Drive End Bearing	Ball
Frame Material	Rolled Steel	Shaft Type	Single Special Extension
Overall Length	13.69 in	Frame Length	7.50 in
Shaft Diameter	0.625 in	Shaft Extension	1.88 in
Assembly/Box Mounting	F1 Only		
Outline Drawing	028866ME-750C	Connection Diagram	005278.07ME

This is an uncontrolled document once printed or downloaded and is subject to change without notice. Date Created: 06/29/2018

RBC PROPRIETARY AND CONFIDENTIAL INFORMATION
 This document is the property of REGAL BELOIT CORPORATION ("RBC") including its subsidiaries and divisions and contains proprietary information of RBC. This document is loaned on the express condition that neither it nor the information contained therein shall be disclosed to others without the express written consent of RBC, and that the information shall be used by the recipient only as approved expressly by RBC. This document shall be returned to RBC upon its request. This document may be subject to certain restrictions under U.S. export control laws and regulations.

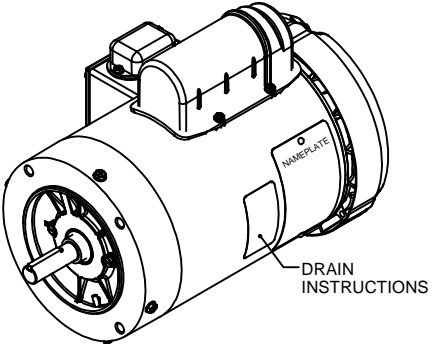


(4) 3/8-16 UNC-2B x .56 DEEP ON A Ø5.875 B.C.

DASH NO.	"C"	"AD"
450	10.16	4.56
475	10.41	4.81
500	10.66	5.06
550	11.16	5.56
575	11.41	5.81
600	11.66	6.06
625	11.91	6.31
650	12.16	6.56
700	12.66	7.06

CAP. DASH	"XO"
A	1.54
B	2.01
C	2.25

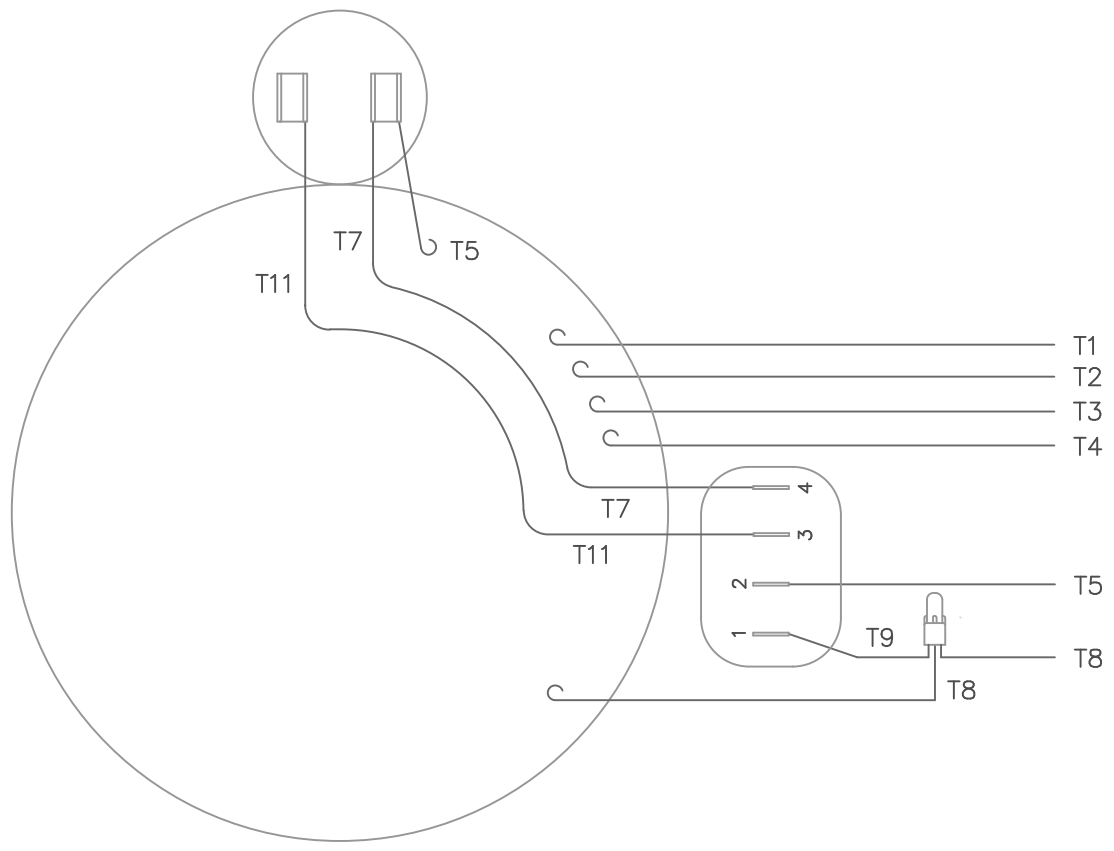
- NOTES:
 1) SHAFT SEALS & V-RING.
 2) PLUGGED DRAIN HOLES IN ENDBELLS & CONDUIT BOX.
 3) GASKETS THROUGHOUT.
 4) STAINLESS STEEL SHAFT, HARDWARE, & NAMEPLATE



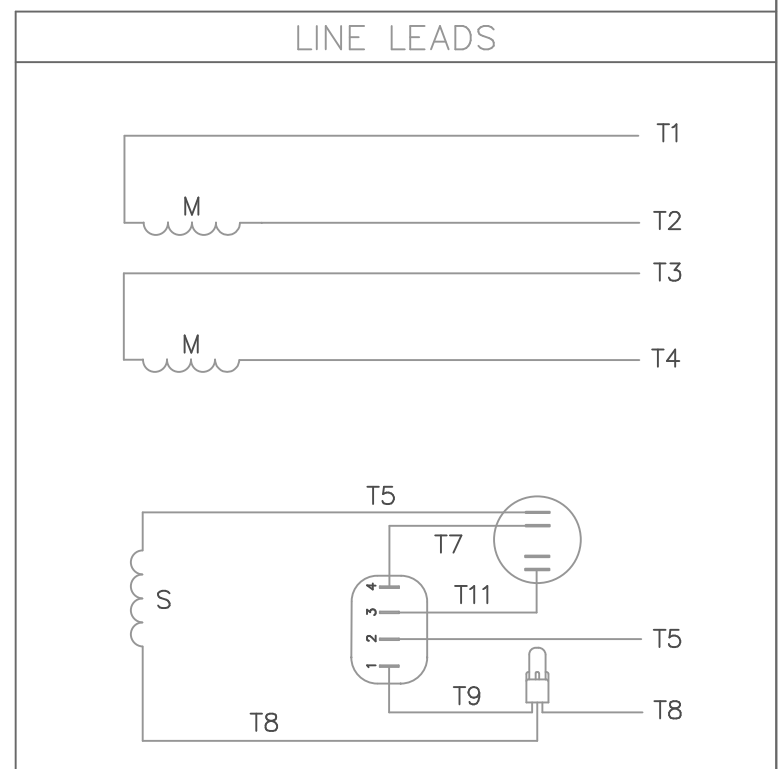
REVISION		BY & DATE	CHK	ANG	±1/2"	FINISH	DRAWING NO		REV
NO							B		028866ME

TOLERANCES UNLESS SPECIFIED		CAP. DASH		TITLE		DRAWN	
DEC	INCHES	A	1.54	OUTLINE - 56C FRAME		LST 3/19/11	
X	±.1	B	2.01	TEFC - RIGID "C" FACE		CHK	
.XX	±.03	C	2.25	MATL WASHGUARD		APPR	
.XXX	±.005					SCALE 1:2	
.XXXX	±.0005					REF	
						FMF	
						PAGE 1 OF 1	





VIEW FROM OUTSIDE OF MOTOR AT SWITCH END.



	ROTATION FACING LEAD END	L1	L2	JOIN & INSULATE
HIGH VOLT	C.C.W.	T1	T4 T5	T2,T3 T8
	C.W.	T1	T4 T8	T2,T3 T5
LOW VOLT	C.C.W.	T1,T3 T8	T2,T4 T5	
	C.W.	T1,T3 T5	T2,T4 T8	

		TOLERANCES UNLESS SPECIFIED			DRAWN LST 1/19/09 CHK APPD SCALE 1=1 REF FMF PREV
		DEC.	INCHES		TITLE
		.X	±.1		EXTERNAL WIRING DIAGRAM TYPE "C" WITHOUT PROTECTOR
		.XX	±.01		MAT'L. DECAL - 004012
		.XXX	±.005		FINISH
		.XXXX	±.0005		
NO.	REVISION	BY & DATE	CHK	ANG ±1/2'	
THIS DRAWING IN DESIGN AND DETAIL IS OUR PROPERTY AND MUST NOT BE USED EXCEPT IN CONNECTION WITH OUR WORK ALL RIGHTS OF DESIGN AND INVENTION ARE RESERVED THIS IS AN ELECTRONICALLY GENERATED DOCUMENT - DO NOT SCALE THIS PRINT			RFP	CAD FILE 00527807ME	SIZE A
			DIST		DRAWING NO. 005278-07ME
					PAGE OF
					REV.

